

ERRETI - GNS - SOTRALU
are companies of

SOTRALU
GROUP

ERRETI DUE

Via Pilastrino 32/B
48031 Bagnara di Romagna (RA)
ITALY
tel. +39 0545 283 811
sales@erreti.com
www.erreti.com

GNS

E.N. 1 - Mourisca do Vouga
3754 - 901 Águeda
PORTUGAL
tel. +351 234 644 224
info@ingns.com
www.ingns.com

SOTRALU

151, avenue des Pyrénées
31600 Muret
FRANCE
tel. +33 5 34 46 06 00
contact@sotralu.fr
www.sotralu.fr

GNS.COM.0004.017/B-0219

Sliding Multipoint Lock **INOX 304** Anti-False Maneuver

Developed to respond to the most demanding requirements

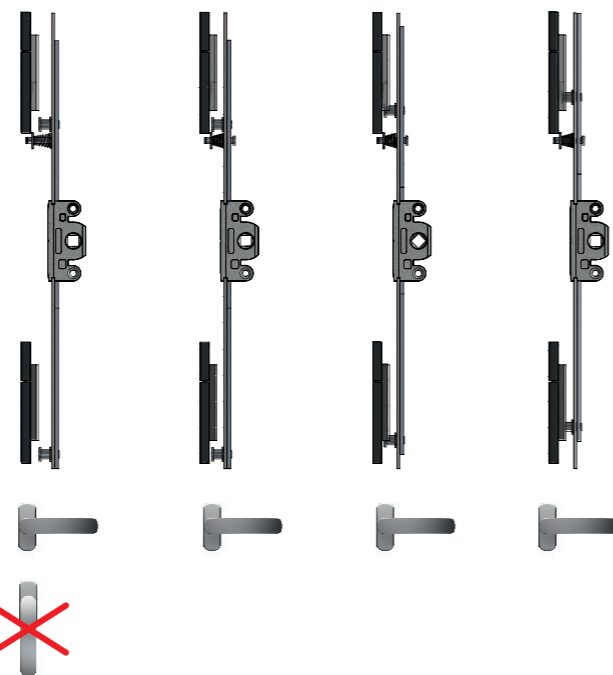
www.sotralugroup.eu



Anti-False Maneuver System



The new false maneuver system incorporated in the new multipoint fasteners for sliding series, allows greater safety and reliability of the system.



The system can only be operated with the Anti-False Maneuver system activated.

Range of Available Products

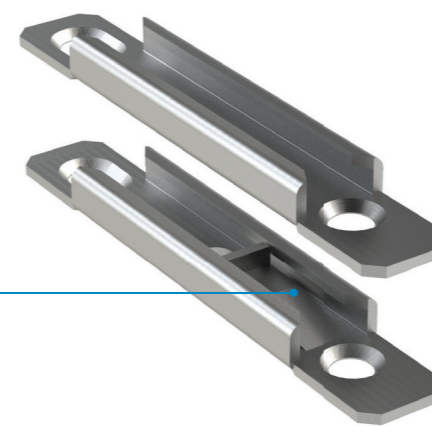
Reference	Box	Size	Locking Points	Packaging
3062.FM.75.300	7,5	300	2	10
3062.FM.75.600		600	2	10
3062.FM.75.1000		1000	2	10
3062.FM.75.1600		1600	4	10
3062.FM.75.1800		1800	4	10
3062.FM.15.300	15	300	2	10
3062.FM.15.600		600	2	10
3062.FM.15.1000		1000	2	10
3062.FM.15.1600		1600	4	10
3062.FM.15.1800		1800	4	10

Stainless Steel Locking Points

With the new Registered Anti-Lifting and Anti-Gap system

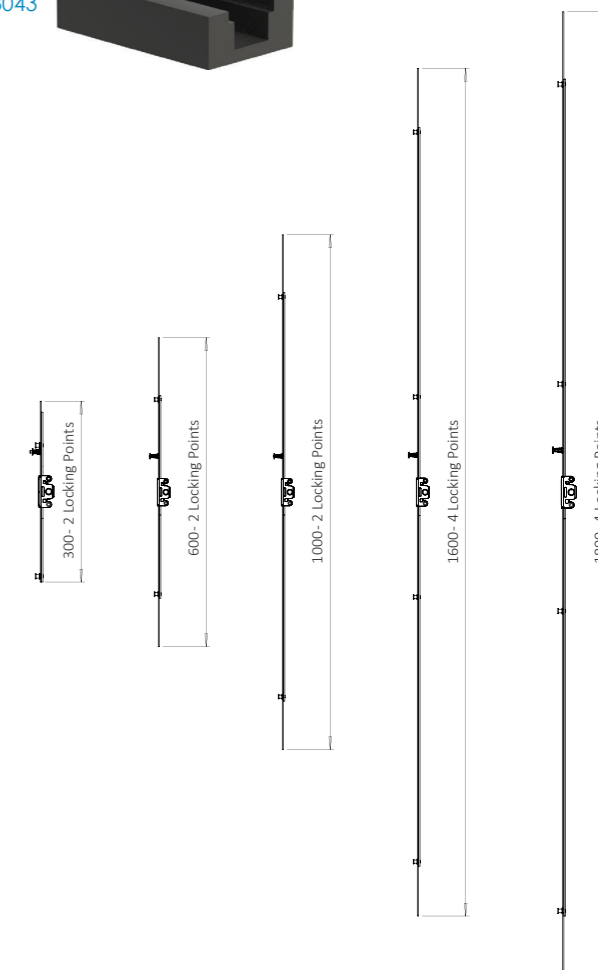
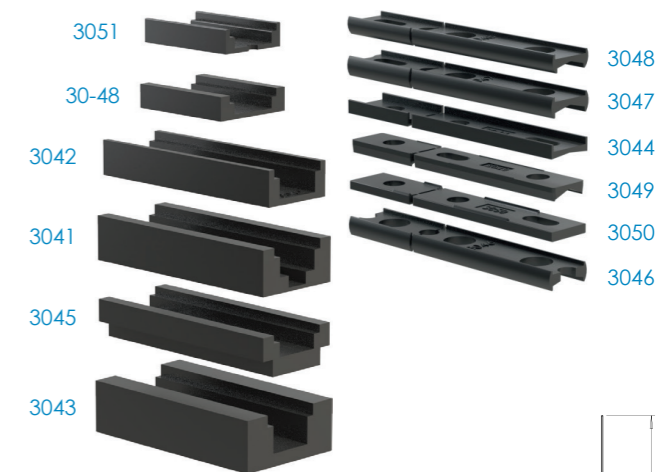
The new design of the stainless steel locking points, incorporated in the new multipoint fasteners, allows the perfect adjustment of the closure, eliminating any type of slack.

In the same way, it ensures the anti-lifting of the sash, increasing the security index of the system.



Closing Point with Anti-Lifting and Anti-Gap System.

Registered Product



Stainless Steel 304 Greater Resistance and Reliability

Given the durability that only Inox can guarantee, we produce the New GNS Multipoints in INOX 304.

All Multipoints, as well as the strikers and all fixing are produced in this material.

The central rotation systems for opening and closing the Multipoint is produced in zamak with a 360 hours zinc-coated surface treatment.

In this way, we can guarantee the use of the New GNS Inox Multipoint in the most demanding environments:

- › In windows installed by the sea, in a high saline environment.
- › In windows in insular areas where the anti-corrosive resistance and durability of materials is put to the test every day.
- › In windows of public buildings, such as schools, hospitals and hotels, where the durability of materials is a requirement of the first importance.

