

ERRETI - GNS - SOTRALU
are companies of

SOTRALU
GROUP

ERRETI

Via Pilastrino 32/B
48031 Bagnara di Romagna (RA)
ITALY
tel. +39 0545 283 811
sales@erreti.com
www.erreti.com

GNS

E.N. 1- Mouisca do Vouga
3754-901 Águeda
PORTUGAL
tel. +351 234 644 224
info@ingns.com
www.ingns.com

SOTRALU

151, avenue des Pyrénées
31600 Muret
FRANCE
tel. +33 5 34 46 06 00
contact@sotralu.fr

GNS.COM / MULTIPPOINTINOX304WITHMV2023

GNS
BY SOTRALU GROUP

Multipoint **STAINLESS STEEL 304** with Micro-Ventilation

Developed to respond the most demanding requirements.

www.sotralugroup.eu

SOTRALU
GROUP



NEW STAINLESS STEEL MULTIPOINT FOR SLIDING SERIES
**WITH ANTI-FALSE MANEUVERING SYSTEM
 AND MICRO-VENTILATION**

We ensure high durability over time by using stainless steel in our multipoint hardware for sliding series.

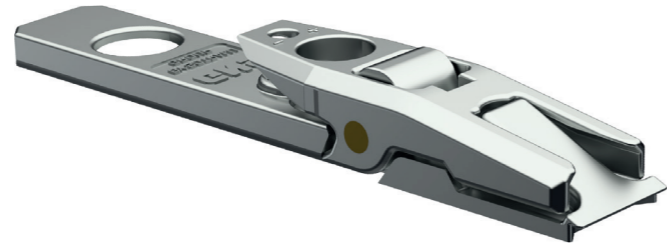
Both on the front and transmission elements, in the mushroom shaped locking points and the applied strikers on the window frame, we use Inox 304 and complement it with a Zinc/Nickel based surface treatment, providing full 240H anti-corrosive protection.

This way, we can guarantee the use of our multipoints in the most demanding environments:

- › In windows installed near the sea, in a high saline environment;
- › In windows in island areas where the demand for anti-corrosive resistance and material durability is tested every day;
- › In windows of public buildings such as schools, hospitals, and hotels, where material durability is of paramount importance.

Reference	Front	Backset	Measure	Closing Pts	Box Qty
3061MV-15-600	Stainless Steel 304	15	600	2	10
3061MV-15-1000		15	1000	2	10
3061MV-15-1600		15	1600	4	10
3061MV-15-1800		15	1800	4	10
Reference	Front	Backset	Measure	Closing Pts	Box Qty
3062MV-15-600	Stainless Steel 304	15	600	2	10
3062MV-15-1000		15	1000	2	10
3062MV-15-1600		15	1600	4	10
3062MV-15-1800		15	1800	4	10

NEW SOLUTION
MICRO-VENTILATION

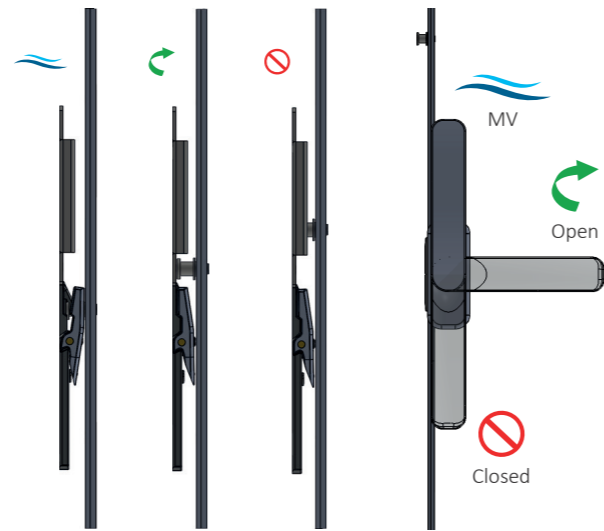


For use with the new multipoints featuring a 180° rotation box, which allows for the utilization of the micro-ventilation device, we present:

A 6mm opening micro-ventilation device, adjustable up to 9mm using a 2,5mm hexagonal key.

The device is made of Zamak with a Zinc/Nickel surface treatment, providing up to 240H of anti-corrosive protection in a salt spray chamber. It features a brass fixing and rotating pin, and a stainless steel spring.

The product range is available with a 15mm backset measurement and front dimensions of 600, 1000, 1600 and 1800mm.

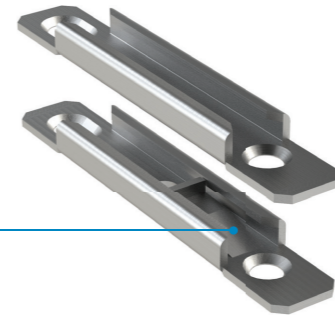


The product is certified according to the UNE 12207:2017 CLASS 1 standard, based on the results of internal comparative tensile tests with the main competitors.

STAINLESS STEEL LOCKING POINTS
 WITH NEW ANTI-LIFTING AND ANTI-PLAY SYSTEM REGISTERED

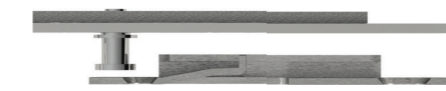
The new design of the stainless steel locking points, incorporated in the multipoint locks, allows for a perfect closure adjustment, eliminating any type of play.

Likewise, it ensures anti-lifting of the sash, increasing the safety index of the system.



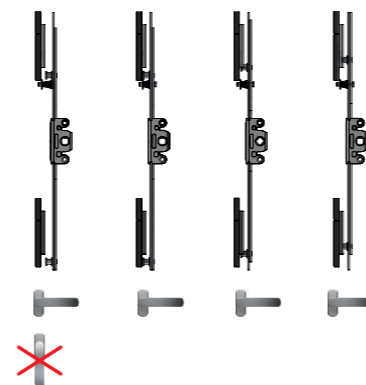
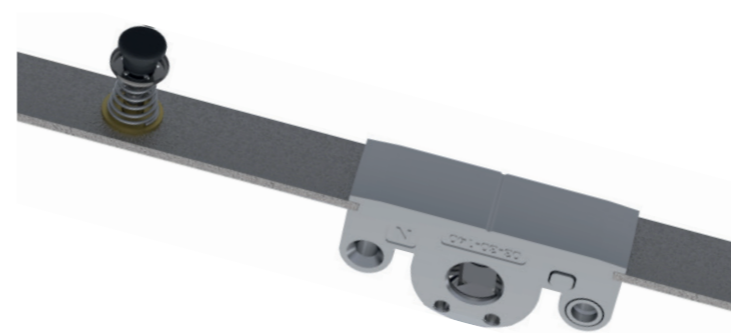
Product Registered

Locking Point with Registered Anti-Lifting and Self-Adjusting System.



ANTI- FALSE MANEUVERING SYSTEM

The new Anti-False Maneuver system incorporated in the multipoints for the series for running, allow for greater safety and reliability of the system.



Only with the anti-false maneuver mechanism engaged, it will be possible to proceed with the system's locking, ensuring a smooth and ideal closure while significantly reducing the possibility of damaging the locking points or multipoint lock mushrooms.

